

1. Choice of Position for Installation (Fig.1)

(Fig.1)

The "U" Type Cleaner may be positioned somewhere between the areas marked A and B. If the chute area is confined by the snub pulley it may be necessary to fit in the area marked "C".

2. Fitment of Blade (Fig.2)

- (2-1) Fit the blade into the frame of the cleaner and press down securely by hand.
- (2-2) Tighten the bolts at either end, fixing the blade in the holder.

3. Fixing the Brackets (Fig.3)

- (3-1) First tighten the retaining bolts onto the vertical shaft.
- (3-2) Weld the angle brackets on either side (as shown), ensuring that their center line are both horizontal at a position approximately 85mm below under face of the belt.
- (3-3) Fix the bearing mount temporarily at a position approximately 20mm lower than the centre line of the bracket. This is achieved by use of the adjusting bolt and setting bolt.

Fig.1

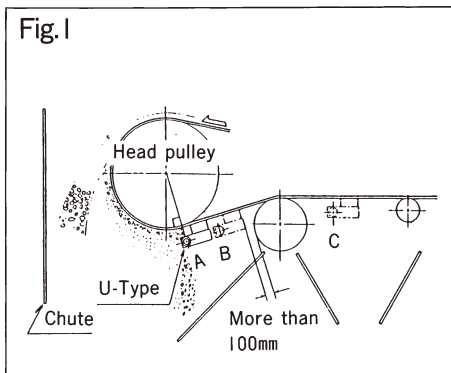


Fig.2

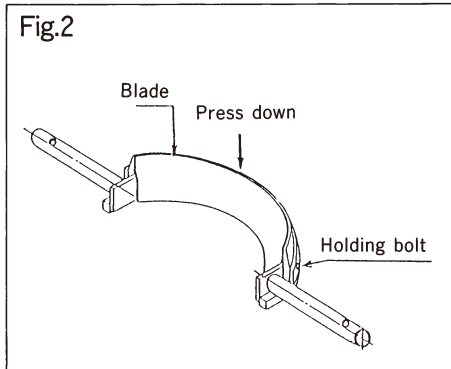
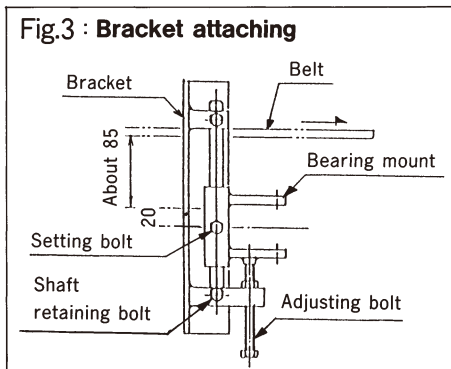


Fig.3 : Bracket attaching



4. Fitting the Body Into the Bearing Mount (Fig.4, 5)

- (4-1) Sit the shaft of the cleaner between the bearing mounts and insert the pins to secure the cleaner position.
- (4-2) Place the nylon bearings on the shafts with the small flange facing outwards. At this time the cleaner is hanging down due to its natural weight.

5. Fitting the Stops (Fig.6, 7)

- (5-1) Fit the stop(1) either right side or left side as shown in Fig.6.
- (5-2) Insert a small rod through the hole provided in the cleaner shaft and lift the cleaner blade until it is parallel with the belt.
- (5-3) Lock the stop(1) in a position to hold the cleaner parallel to the belt.
- (5-4) Fit the remaining stop(2) on the other side described in (5-1).

6. Adjusting the Body (Fig.8)

- (6-1) Now that the cleaner is in the approximate correct position, it may be adjusted either up or down by using the adjustment bolts as shown in Fig.8.
- (6-2) Adjust the cleaner up or down until both the edges and centre of the blade makes contact with the belt.
- (6-3) Tighten the setting bolt to fix the cleaner in position.

7. Applying the self Adjustors on the stop (2) side. (Fig.9, 10)

※ for type I (direct hanging)

- (7-1) Fit the adjusting arm on the stop (2) side.
- (7-2) Join the spring and the hook bolt. Locate the position of the bracket, and fix it by welding. Leave an allowance of not less than 50mm for upward movement of adjusting spring.

※ for type II (using weight)

- (7-1) Fit the adjusting arm on the stop(2) side. Fix the supporting point of the counter arm so that the wire hole and the arm's hole are vertically arranged.
- (7-2) Connect the spring and the adjusting arm with the attached stainless wire.

Fig.4 : Fix the body

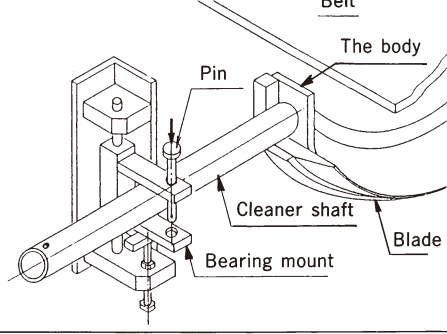


Fig.5 : Fit the bearing collar

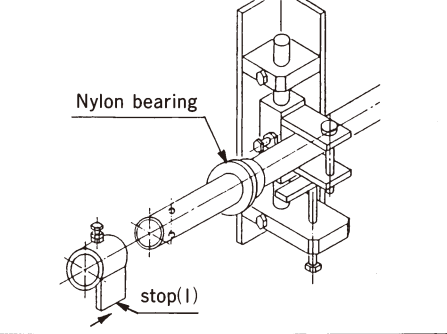


Fig.6 : Fit the stop

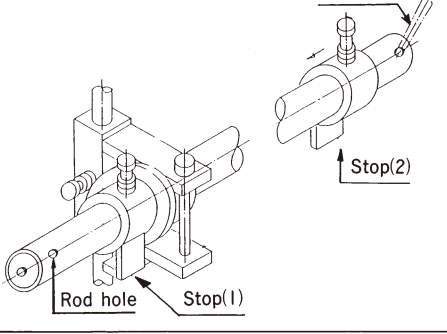


Fig.7 : Turn the body

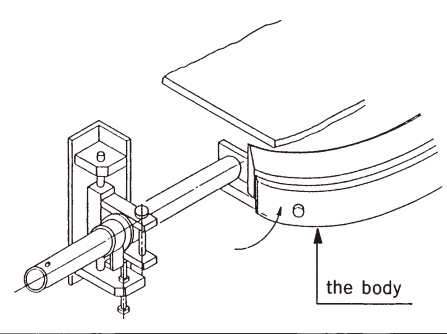
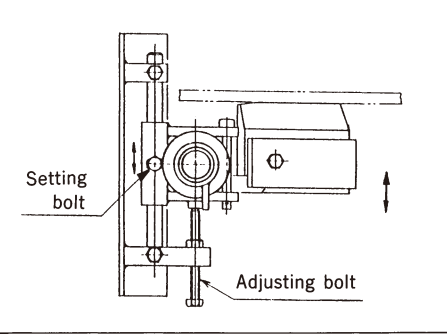


Fig.8 : Push up the body



(7-3) Tighten the arm's fixing bolt and the wire clip so that adjusting arm and the counter arm are horizontal.

8. Removing the stop(1) and setting it contrarily, then applying the self Adjustors. (Fig.11, 12, 10)

9. Adjusting the pressure.

(9-1) Adjust pressure by vertical position of the hook bolt for type I and by weight position on the arm for type II.

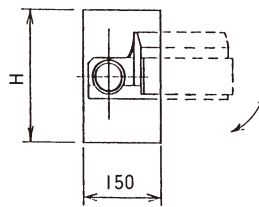
(9-2) Estimate proper pressure by a little convexity of the belt center portion or by spring's winding clearance of about 0.5mm. Observe uniform contact between the blade and the belt also.

(9-3) To correct bad contact at the belt center part, either raise pressure or apply pressure after lowering the cleaner shaft position a little. (stretch range : 0 ~ 25mm)

10. Fixing interfacial pressure stop. (Fig. 13)

(10-1) Lastly, fix the stop kept 2mm clearance shown in Fig.13 as the stop for the interfacial pressure to prevent blade's forcing into the belt.

※ For a case to put the cleaner inside of the chute by cutting it to get necessary space, the cutting area should be as shown in the figure below :



| Belt width(mm) | H(mm) |
|----------------|-------|
| 350 ~ 1050 | 200 |
| 1200 ~ 2200 | 250 |

Fig.9 : Fit the adjusting arm.(2side)

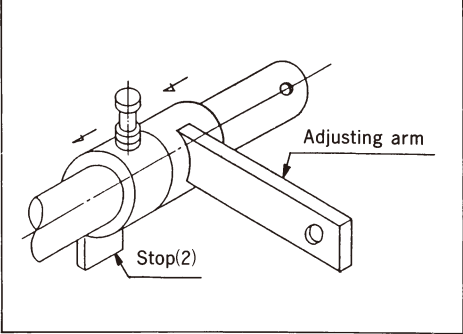


Fig.10 : Self Adjustor

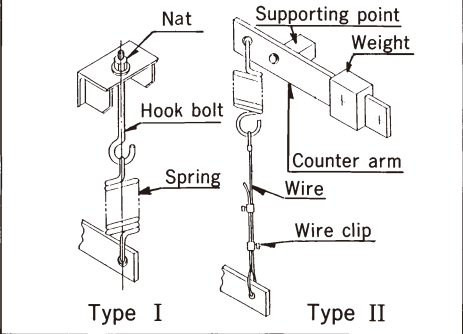


Fig.11 : Set the stop(1) contrarily

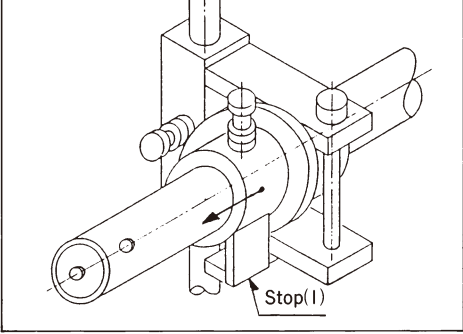


Fig.12 : Set the Adjusting ((1) side)

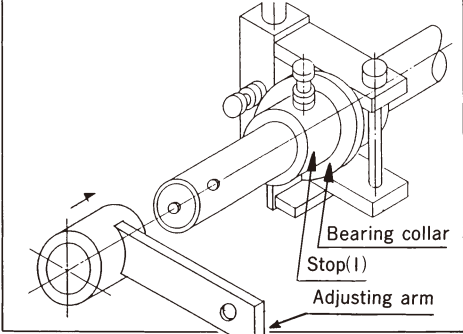


Fig.13 : Fix the stop

