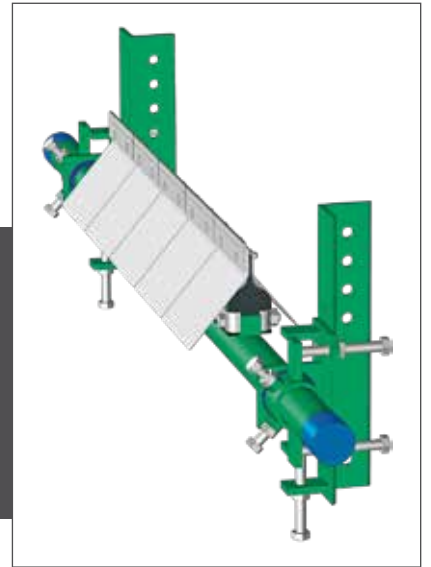




HIGH-PERFORMANCE R-TYPE (SECONDARY) SCRAPER FOR BIDIRECTIONAL CONVEYOR SYSTEM

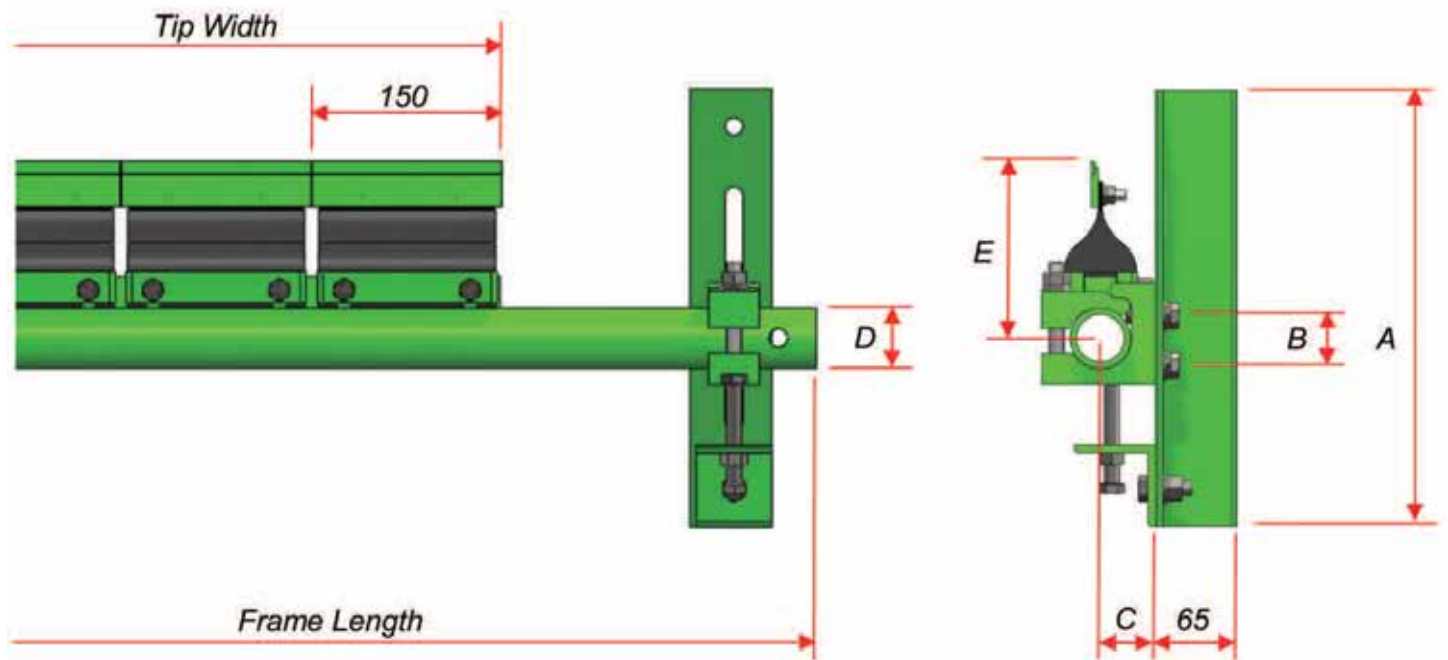


The Belle Banne R-type secondary scraper has been a successful secondary scraper for over 30 years.

Teamed with belle banne primary scraper, or by itself, it has proved effective in maintaining a clean conveyor belt across diverse applications.

Ideally positioned just back from the head pulley, the belle banne R-type scraper is compact enough to fit in most chute applications and sits close enough to the pulley to ensure the material fines are directed back into the regular material flow.

Available in all sizes to suit your belt width, and in a range of materials to optimize life and performance, the belle banne R-type belt cleaner is a smart choice to eliminate carryback from your conveyor system.



ADAPTATIONS AND SPARE PARTS

• SCRAPING BLADES

Blades RS 150 standard 10 x 3)

SS Blades RS 150 I (10 x 3)

• SHOCK ABSORBER

Shock Absorber R55
(Standard)

Shock Absorber RH
For temperature 80° to 130° and thick products

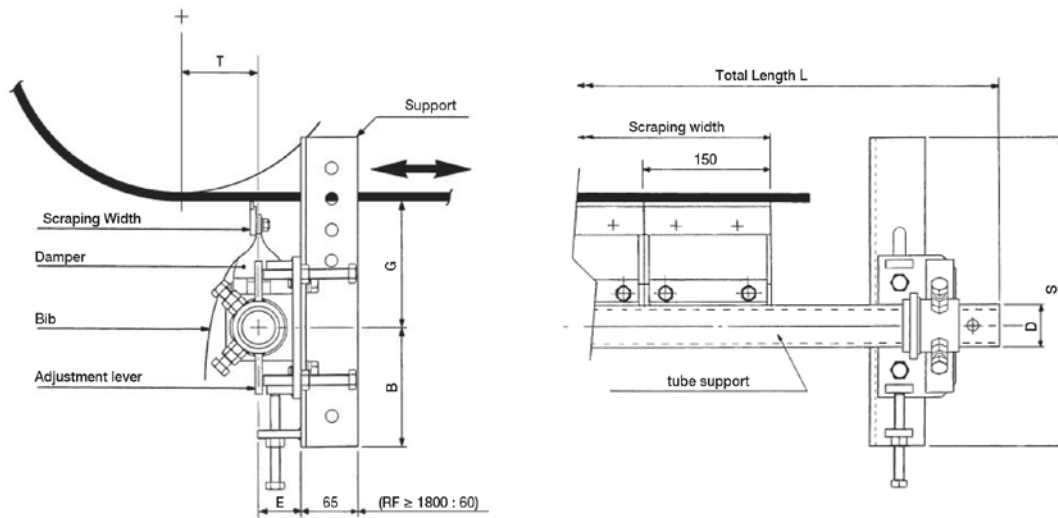
• FLAP

Flap R

WE PROVIDE TECHNICAL SOLUTIONS RATHER THAN JUST OFFERING PRODUCTS.

FEATURES:

- BELT WIDTH**
 Belle banne R-type scraper is suitable for all belt widths from 418"-119"
- REVERSING CONVEYOR**
 The belle banne R-type scraper has been purposely designed for use on reversing conveyors. Install one at either end for maximum performance, or just one at the primary discharge end.
- HEAVY DUTY CONSTRUCTION**
 Belle banne scraper poles are the strongest around. All poles are schedule 80 material, ensuring they are fit for tough mining applications.
- STAINLESS STEEL**
 Belle banne scraper are available in either powder coated mild steel, or 304 stainless steel grade available on request.
- SEGMENTED BLADE**
 The R-type scraper consists of individual 150mm segmented blades, each one mounted to a rubber cushion. Separate blades ensure constant blade to belt contact on uneven surface, guaranteeing maximum cleaning performance.
- LONG LASTING TUNGSTEN**
 Belle banne has long been the leader in its class when it comes to tungsten. Our tungsten has a proven track record for consistent wear and long blade life. No other tungsten blade comes close.
- SYMMETRICAL CUSHION**
 The R-types symmetrical cushion design ensures the R-type tips meet the belt at 90° to maximize cleaning performance regardless of the direction of travel of your conveyor. Optimally positioned off the head pulley, the belle banne R-type scraper is a compact design allowing cleaned fines to return to the material flow.



Possibilités : • Consult us for intermediate or higher models • SS fixtures • Mounting with remote support tubes

STANDARD MANUFACTURING RANGE

The Cleaner can be mounted with lateral supports to the rear.

REFERENCES	STOCK	BELT WIDTH	SCRAPING WIDTH	NO. OF BLADES	L	D	S	B	G	E	WEIGHT
R.F 400 x 300	*	400 - 300	300	2	1050	48,6	350	135	142	49	18 kg
R.F 500 x 450	*	500	450	3	1150	48,6	350	135	142	49	20 kg
R.F 650 x 600	*	650 - 600	600	4	1300	48,6	350	135	142	49	23 kg
R.F 800 x 750	*	800	750	5	1500	48,6	350	135	142	49	26 kg
R.F 1000 x 900	*	1000 - 900	900	6	1700	48,6	350	135	142	49	29 kg
R.F 1200 x 1200	*	1200	1200	8	2000	60,5	350	135	148	59	39 kg
R.F 1400 x 1350	*	1400	1350	9	2200	60,5	350	135	148	59	43 kg
R.F 1600 x 1500	*	1600 - 1500	1500	10	2400	60,5	350	135	148	59	46 kg
R.F 1800 x 1800	*	1800	1800	12	2700	76,3	400	160	156	70	69 kg
R.F 2000 x 1950	*	2000	1950	13	2900	76,3	400	160	156	70	73 kg

WE PROVIDE TECHNICAL SOLUTIONS RATHER THAN JUST OFFERING PRODUCTS.