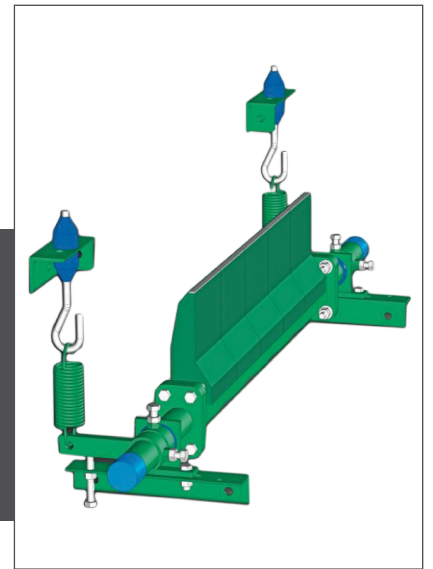


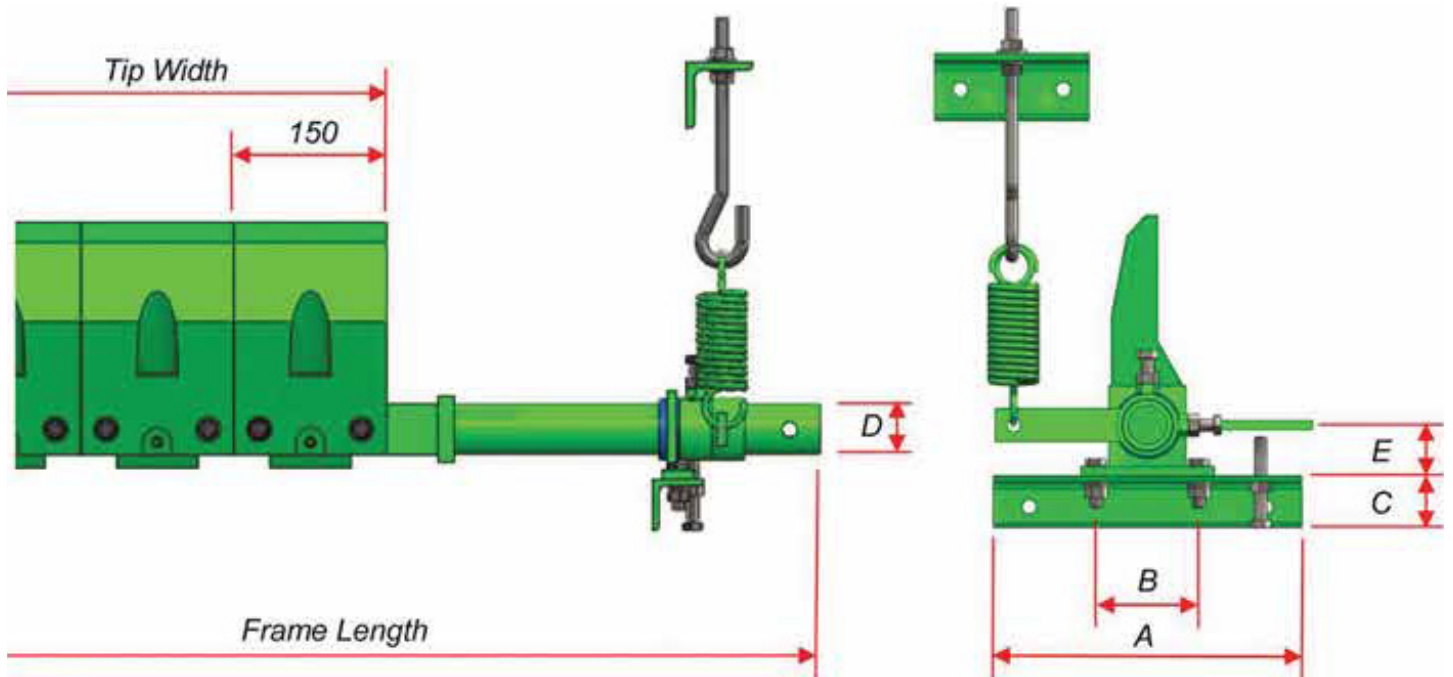
HIGH PERFORMANCE E-TYPE PRIMARY BELT CLEANER



The Belle Banne E-Type uses the elasticity of rubber for outstanding constant tension to the belt and the E-Type is a belt cleaner that you can count on to clean your conveyor belt safely, no matter what condition of belt you are using.

The E-Type comes with two different types of blades, allowing you to use the optimum one for the application. The blades can be easily attached and removed.

Moreover, the E-Type is a "vibration-free construction" cleaner. Whether it is the only cleaner in use on a conveyor, or the first in a high performance cleaning system, the Belle Banne E-Type belt cleaner should be your first choice.



OTHER EQUIPEMENTS

Cleaner Material

- Powder coated mild steel
- 304 stainless steel

Special application blades:

- Rubber Tip (ER Type)
- Hard Alloy Tip (EK Type)

Direction of conveyor:

- Unidirectional
- Bidirectional

FEATURES:

• **BELT WIDTH**

Belle Banne E-Type belt cleaner is suitable for all belt widths from 450mm-2000mm

• **REVERSING CONVEYOR**

The Belle Banne E-Type belt cleaner can be used on reversing belts. Install one at either end. or one at the primary discharge end of your conveyor.

• **HEAVY-DUTY CONSTRUCTION**

Belle Banne cleaner poles are the strongest around. All poles are scheduled 80 materials. ensuring they are fit for tough mining applications.

• **STAINLESS STEEL**

Belle Banne cleaners are available in either powder-coated mild steel, or 304 stainless steel grade available on request.

• **SEGMENTED BLADE**

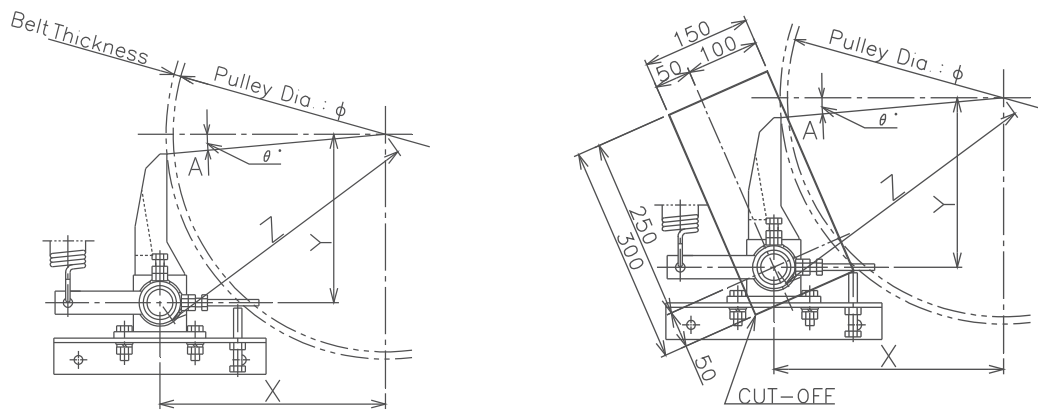
The E-Type belt cleaner consists of individual 150 mm segmented blades. Separate blades ensure constant blade-to-belt contact on uneven surfaces. guaranteeing maximum cleaning performance.

• **TWO TYPES OF BLADES**

The special rubber blades are easy on the belt. The blades with tungsten feature long life.

• **OPTIMAL POSITION**

The E-Type is positioned on the head. or discharge pulley. and sits out of the flow Of regular material in the conveyor chute or transfer. ensuring the cleaner does not become bogged in the material.



• Consult us for intermediate or higher models

STANDARD MANUFACTURING RANGE

The Cleaner can be mounted with lateral supports to the rear.

BELT (mm)	TIP (mm)	FRAME LENGTH (mm)	FRAME DIA. D (mm)	A	B	C	E	WEIGHT (kg)
450	300	1150	ø 48.6	300	100	50	49	23.5
500	450	1200	ø 48.6	300	100	50	49	27.5
600	450	1300	ø 48.6	300	100	50	49	28.0
750	600	1450	ø 48.6	300	100	50	49	32.5
900	750	1600	ø 48.6	300	100	50	49	37.8
1000	900	1700	ø 48.6	300	100	50	49	42.0
1050	900	1800	ø 48.6	300	100	50	49	42.6
1200	1050	2000	ø 48.6	300	100	50	49	47.4
1400	1200	2200	ø 60.5	350	150	65	62	59.1
1500	1200	2300	ø 60.5	350	150	65	62	59.9
1600	1350	2400	ø 60.5	350	150	65	62	64.0
1800	1500	2700	ø 60.5	350	150	65	62	69.7
2000	1500	3100	ø 60.5	350	150	65	62	72.7

WE PROVIDE TECHNICAL SOLUTIONS RATHER THAN JUST OFFERING PRODUCTS.